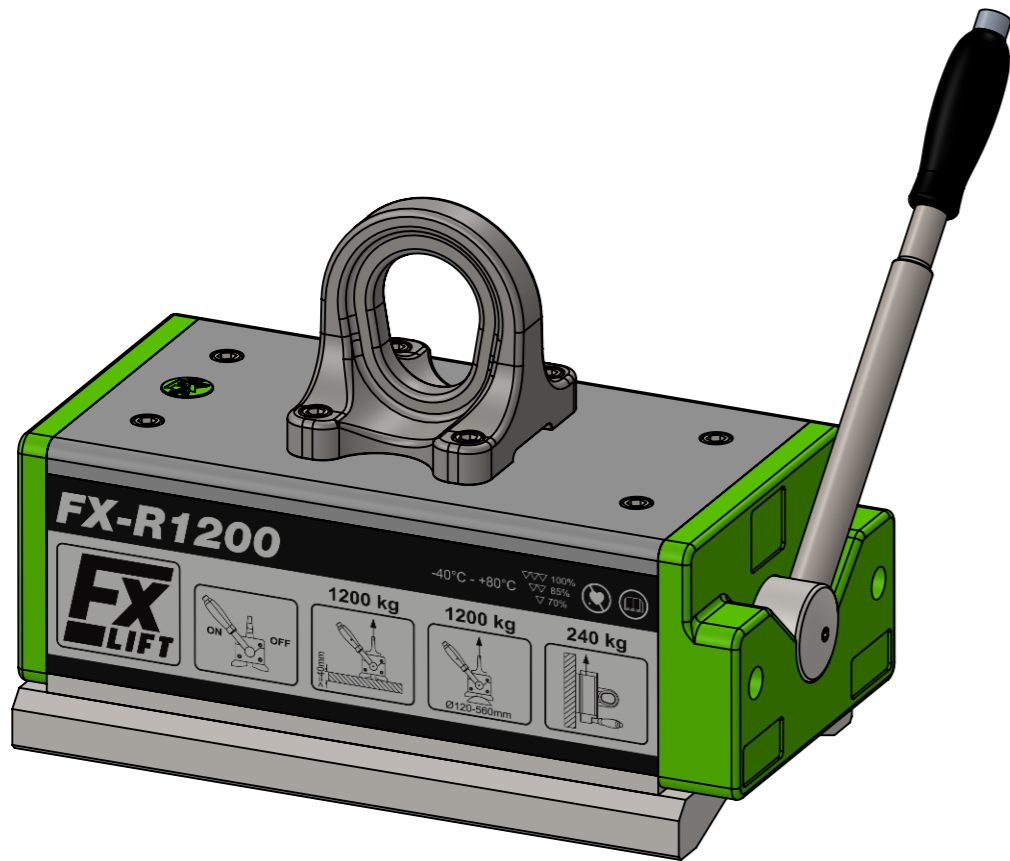
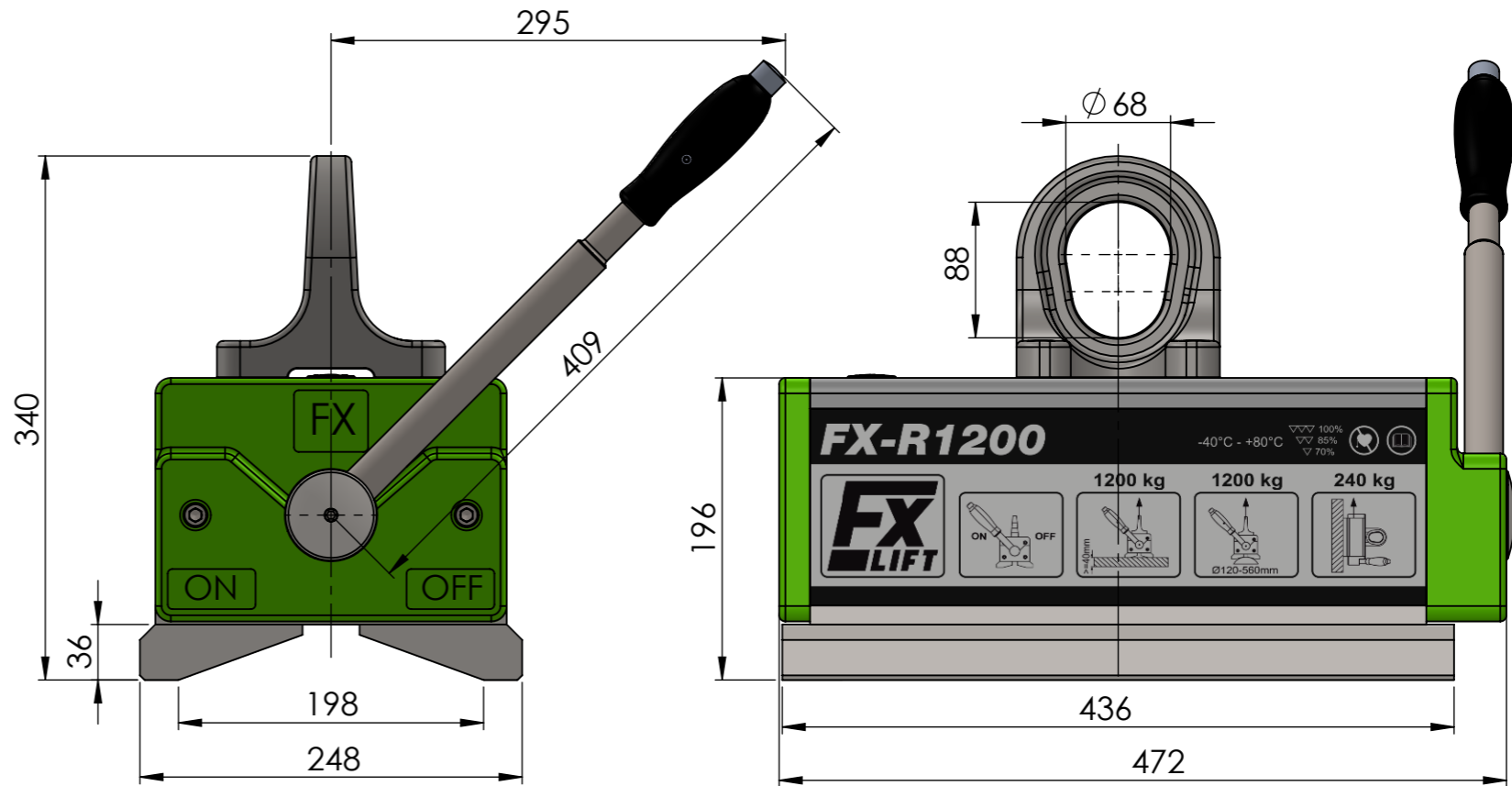
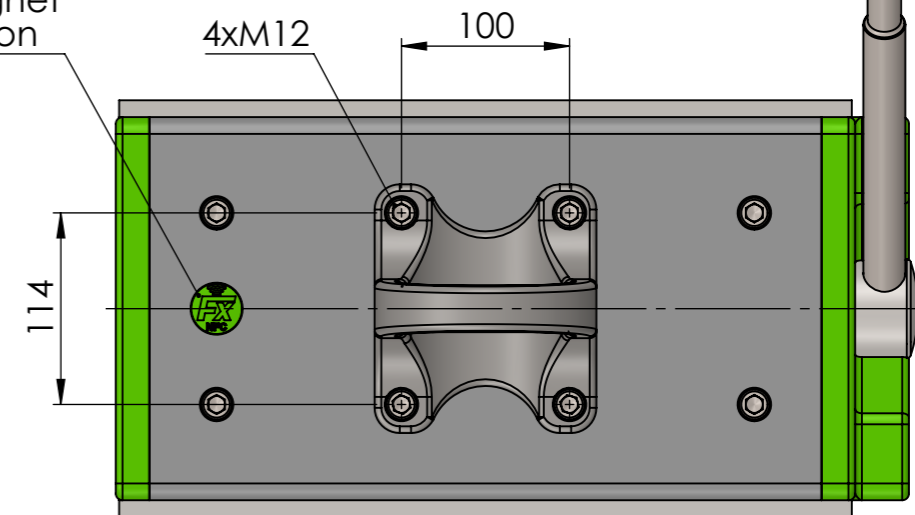


Working load according to EN 13155/WLL	
Load capacity on flat material:	1200kg
Load capacity Ø120-560mm:	1200kg
Max. load capacity > 40mm material thickness	



**Green-Dot**  
NFC-Tag with magnet  
related information



FX-R1200	Air gap <0,3mm			Air gap 0,3- 0,6mm			Air gap 0,6- 0,8mm			Schutzvermerk nach DIN ISO 16016 beachten! Nachdruck nur mit unserer Genehmigung! All rights reserved according to DIN ISO 16016! Reprint with our permission only!		tolerance		material:	weight: 127.00	
Material Thickness (mm)	Max. Load (kg)	Max. L (mm)	Max. B(mm)	Max. Load (kg)	Max. L (mm)	Max. B(mm)	Max. Load (kg)	Max. L (mm)	Max. B(mm)	3,2	-0,05 -0,2	ISO 7168 M	drawing no.:	0014035		
>=15	600	2500	2000	500	3000	2000	440	2500	1500	drawn	28.07.2022	name	description: <b>FX-R1200</b>			
>=20	800	3000	2000	650	3000	2000	550	3000	1500	date		TW	part no.:			
>=25	1000	3500	2000	800	3000	2000	700	3000	1500	appr.	31.01.2024	TW	11011201			
>=40	1200	4000	2000	1000	3000	2000	900	3000	1500	 www.flraig-te.de		scale: 1:4.5		Status: Freigegeben		
Ø120-560	1200	4500	-	900	4000	-	700	3500	-			03 Green Dot 18.01.2024 TW 02 Tabelle 06.11.2023 TW rev. change date name		sheet 1 / 1		A3