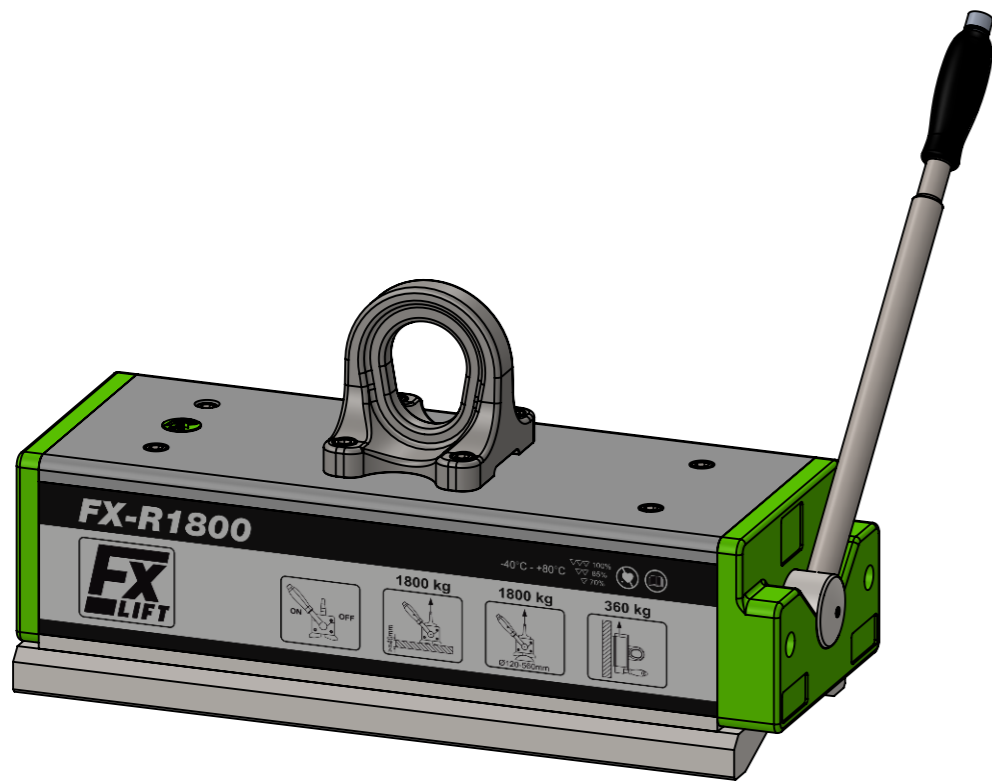
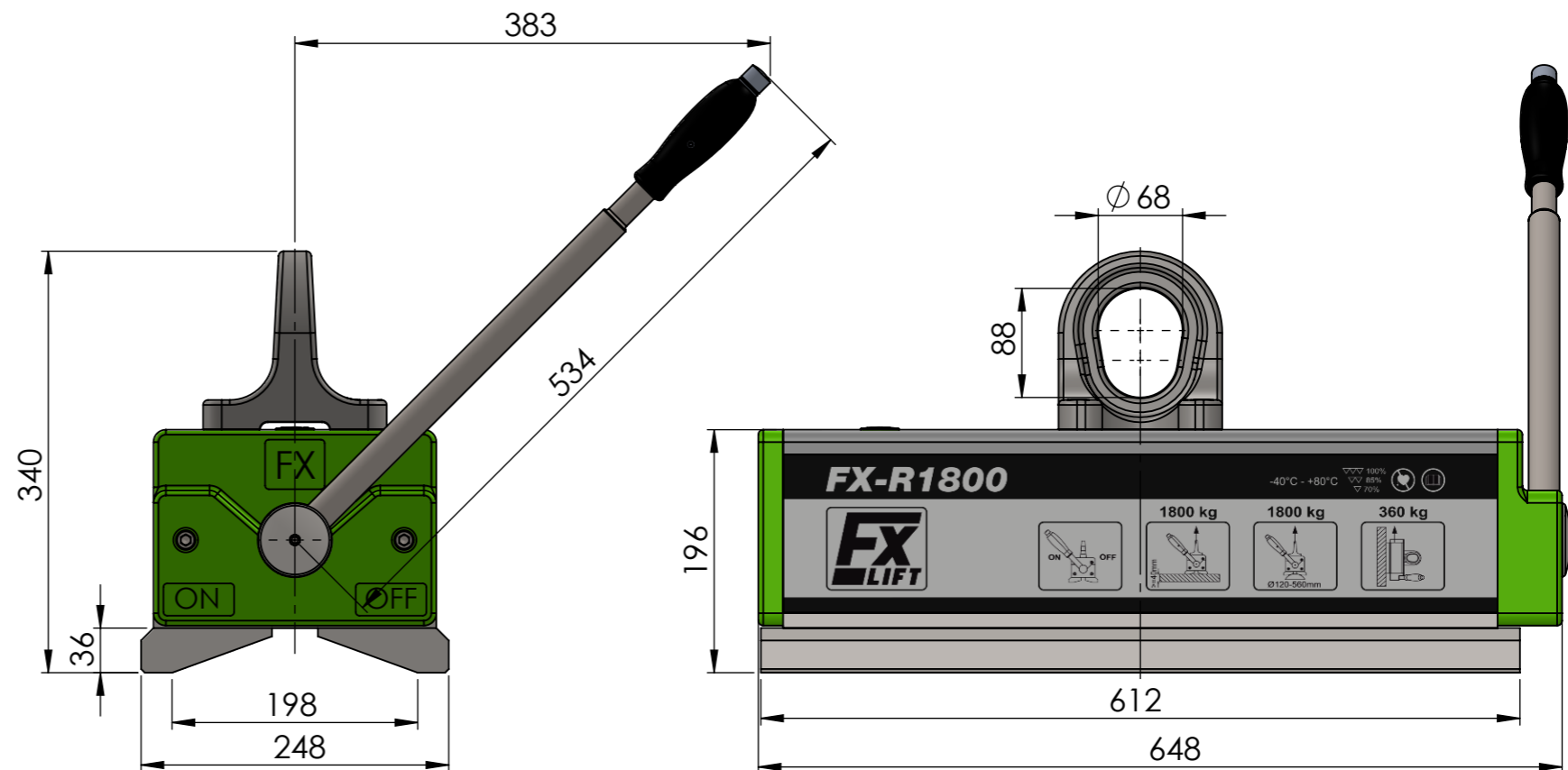
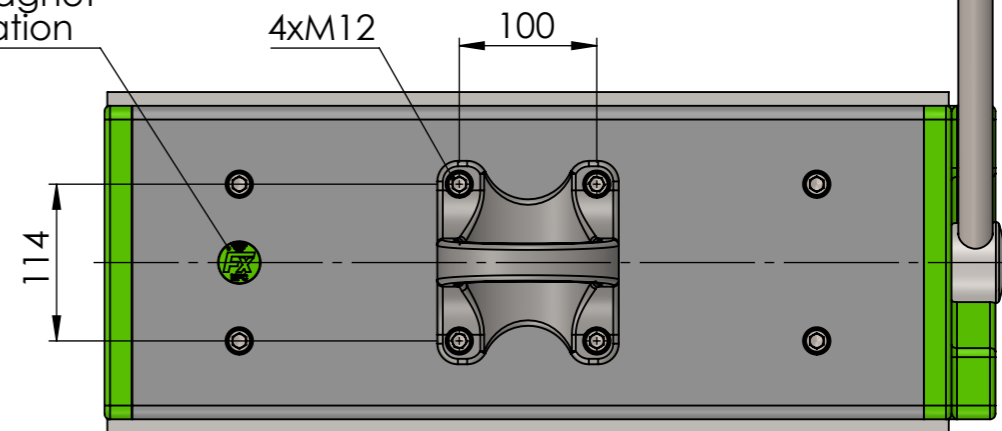



Working load according to EN 13155/WLL	
Load capacity on flat material:	1800kg
Load capacity Ø120-560mm:	1800kg
Max. load capacity > 40mm material thickness	



Green-Dot
NFC-Tag with magnet related information



FX-R1800	Air gap <0,3mm			Air gap 0,3- 0,6mm			Air gap 0,6- 0,8mm			Schutzvermerk nach DIN ISO 16016 beachten! Nachdruck nur mit unserer Genehmigung! All rights reserved according to DIN ISO 16016! Reprint with our permission only!		tolerance		material:	weight: 182.00
Material Thickness (mm)	Max. Load (kg)	Max. L (mm)	Max. B(mm)	Max. Load (kg)	Max. L (mm)	Max. B(mm)	Max. Load (kg)	Max. L (mm)	Max. B(mm)	3,2	-0,05 -0,2	ISO 7168 M	drawing no.:	0014039	
>=15	900	2500	2000	750	3000	2000	660	2500	1500	drawn	28.07.2022	name	description: FX-R1800		
>=20	1200	3000	2000	1000	3000	2000	825	3000	1500	appr.	31.01.2024	TW	part no.:		
>=25	1500	3500	2000	1200	3000	2000	1050	3000	1500	 www.flraig-te.de		11011801		sheet	
>=40	1800	4000	2000	1500	3000	2000	1200	3000	1500			scale: 1:5.5		Status: Freigegeben	1 / 1
Ø120-560	1800	5000	-	1500	4000	-	1125	3500	-	03	Green Dot	18.01.2024	TW	A3	
										02	Tabelle	07.11.2023	TW		
										rev.	change	date	name		