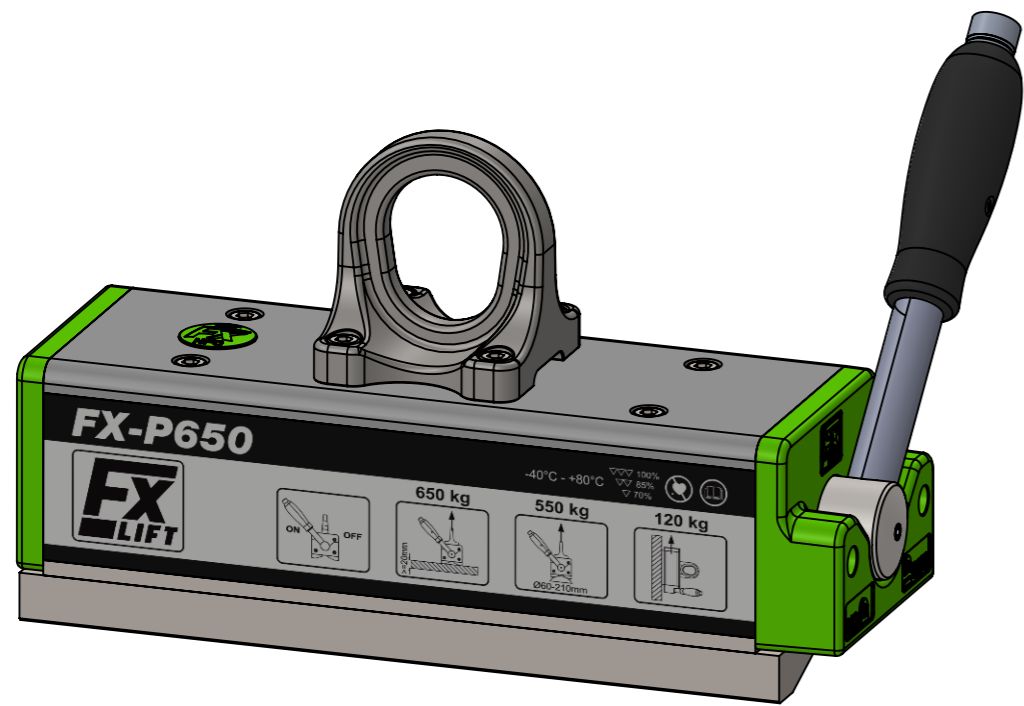
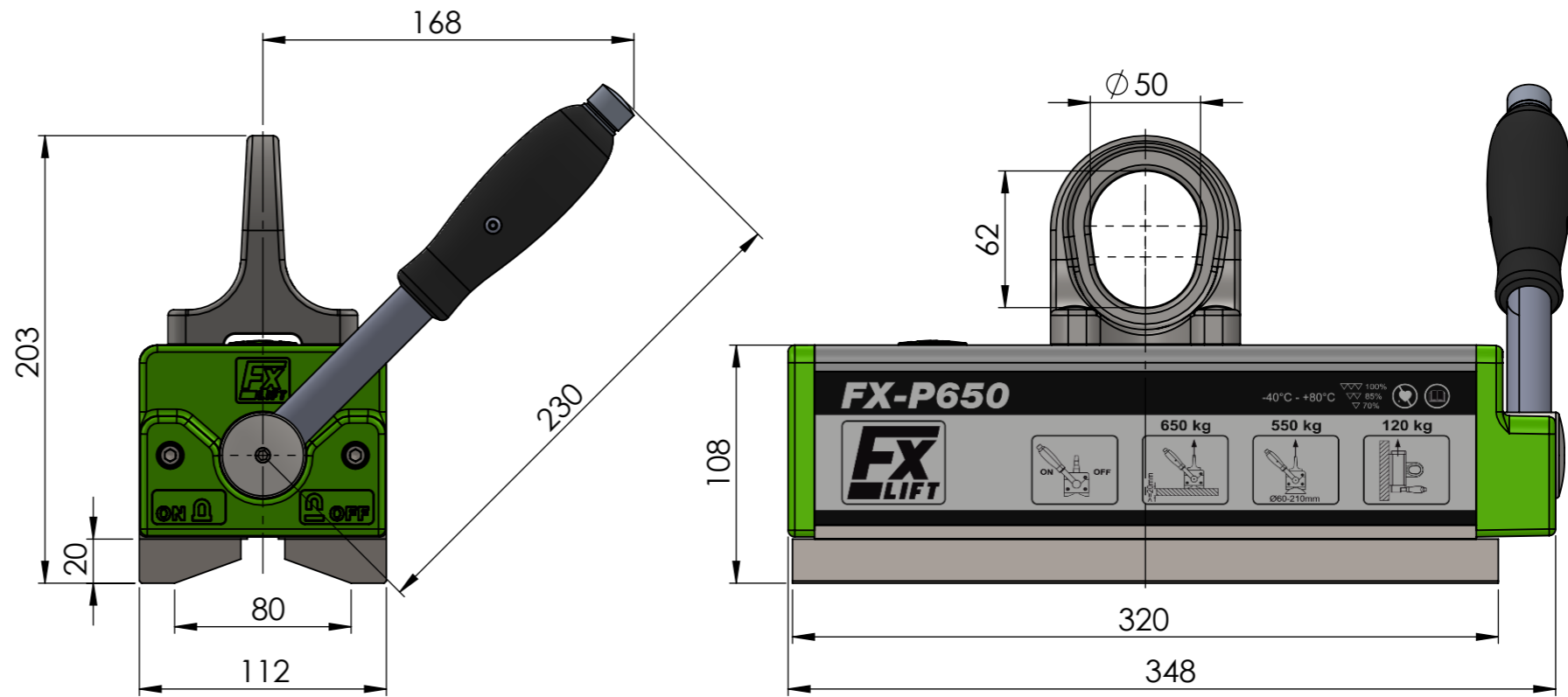
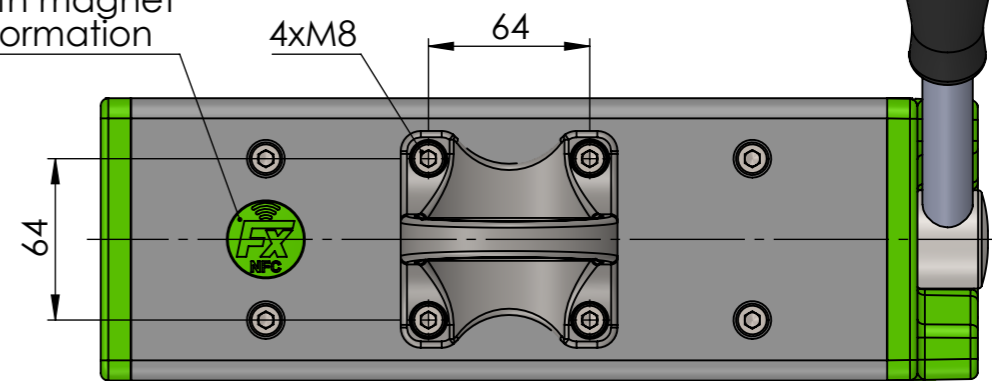


Working load according to EN 13155/WLL	
Load capacity on flat material:	650kg
Load capacity Ø60-210mm:	550kg
Max. load capacity > 20mm material thickness	



Green-Dot
NFC-Tag with magnet
related information



FX-P650	Air gap <0,2mm			Air gap 0,2-0,3mm			Air gap 0,3-0,6mm		
	Max. Load (kg)	Max. L (mm)	Max. B(mm)	Max. Load (kg)	Max. L (mm)	Max. B(mm)	Max. Load (kg)	Max. L (mm)	Max. B(mm)
>=4	160	2250	1500	130	2000	1500	110	2000	1500
>=6	200	2500	1500	175	2250	1500	140	2250	1500
>=8	450	3000	1500	400	3000	1500	320	2500	1500
>=10	550	2500	1500	500	3000	1500	400	2500	1500
>=20	650	3000	1500	570	3000	1500	450	2500	1500
Ø60-210	550	4000	-	480	3500	-	400	3000	-

Schutzvermerk nach DIN ISO 16016 beachten! Nachdruck nur mit unserer Genehmigung!				3,2 / -0,05 / -0,2		tolerance	material:	weight: 26.00
All rights reserved according to DIN ISO 16016! Reprint with our permission only!				ISO 7168 M		drawing no.:	0011979	
				date		name		description: FX-P650
				drawn 28.07.2022		TW		
				date		name		part no.: 11010652
				appr. 31.01.2024		TW		
				date		name		sheet 1 / 1
				17.01.2024		TW		A3
				14.12.2023		TW		
rev. change				date		name		scale: 1:3
								Status: Freigegeben

