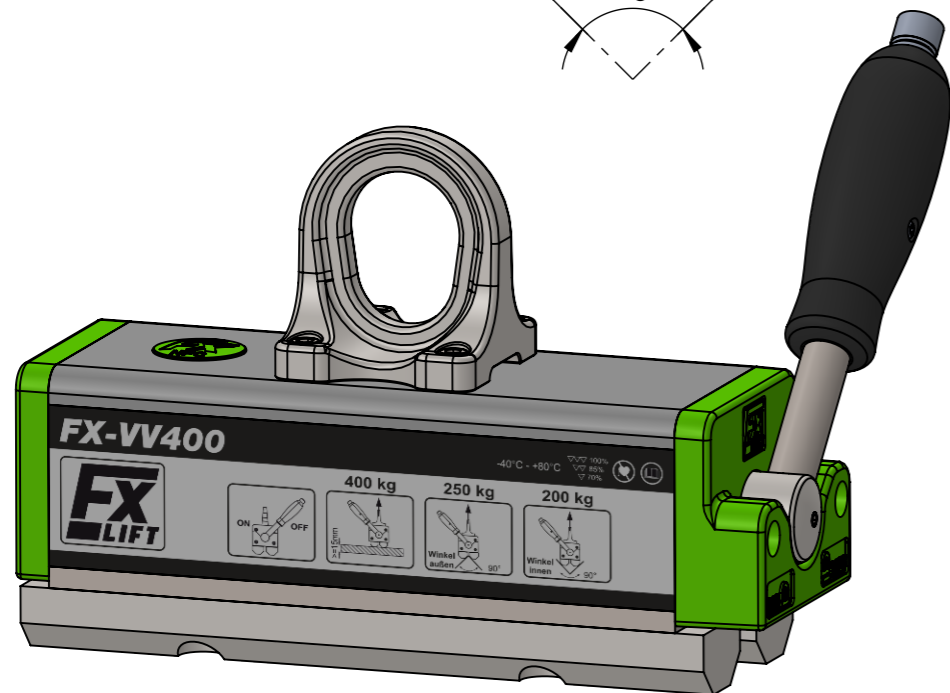
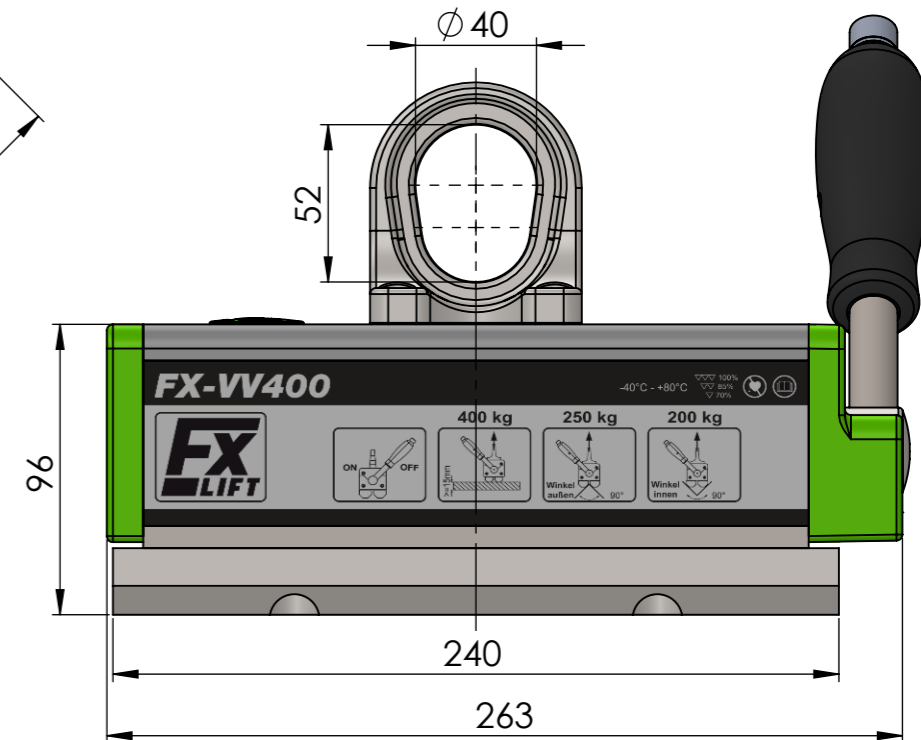
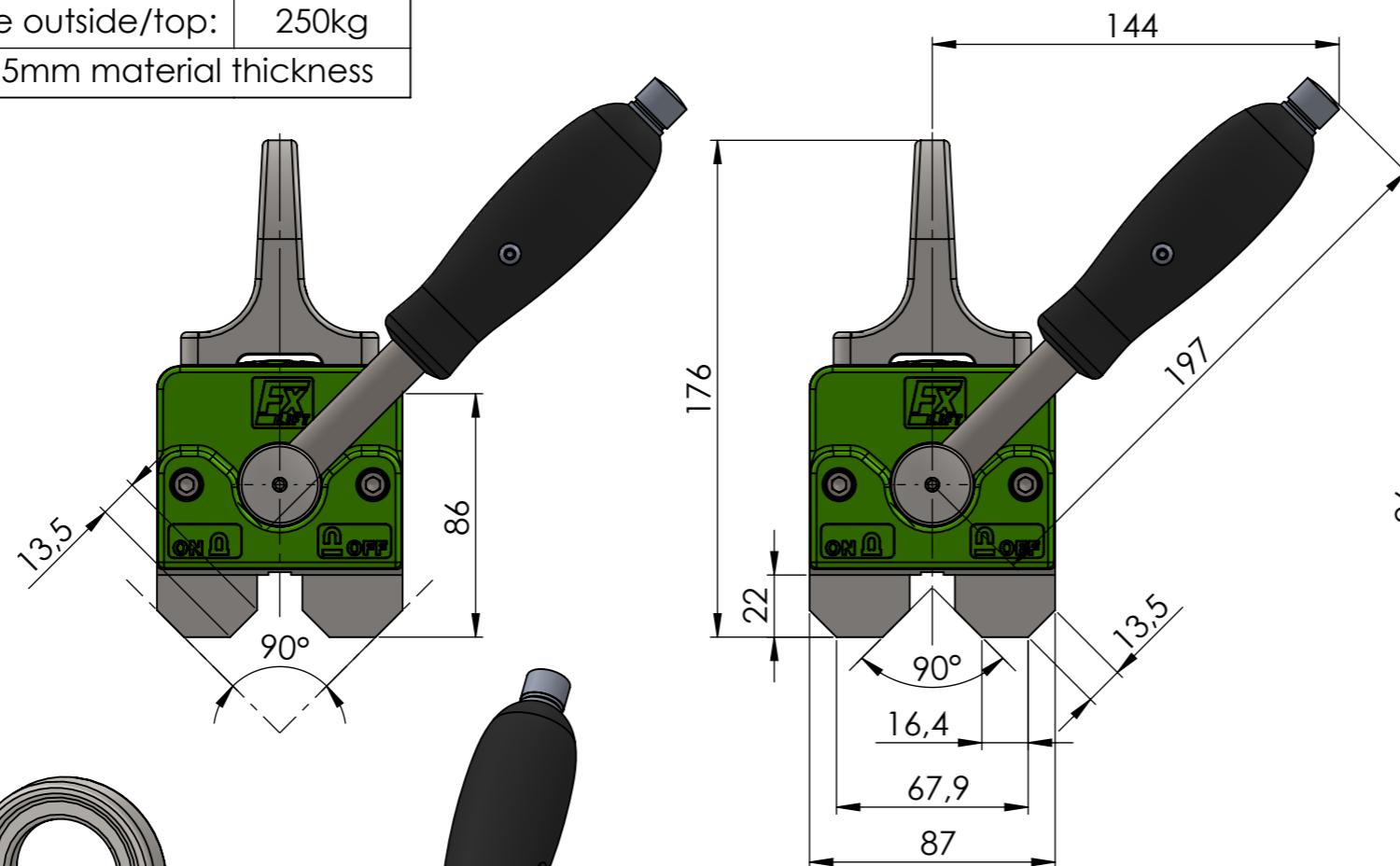
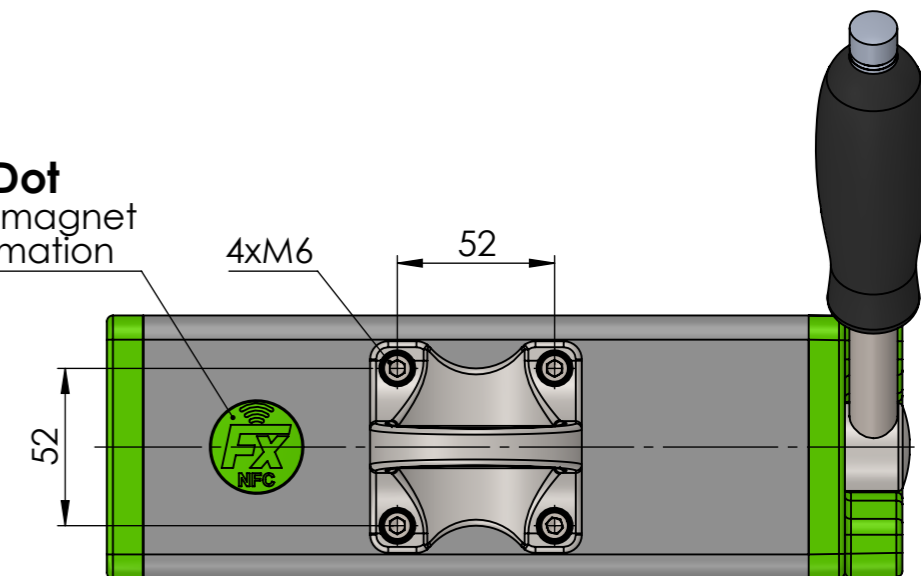


Working load according to EN 13155/WLL

Load capacity on flat material:	400kg
Load capacity 90° profile inside/below:	200kg
Load capacity 90° profile outside/top:	250kg
Max. load capacity > 15mm material thickness	



Green-Dot
NFC-Tag with magnet
related information



FX-VV400	Air gap <0,2mm			Air gap 0,2-0,3mm			Air gap 0,3-0,6mm		
	Max. Load (kg)	Max. L (mm)	Max. B (mm)	Max. Load (kg)	Max. L (mm)	Max. B (mm)	Max. Load (kg)	Max. L (mm)	Max. B (mm)
>=6	150	2000	1000	110	1500	1000	75	1250	1000
>=8	280	2500	1250	210	2250	1250	150	2000	1250
>=10	350	2500	1250	260	2250	1250	180	2000	1250
>=15	400	2500	1250	290	2250	1250	220	2000	1250
90° inside	200	4000	-	160	3500	-	120	3200	-
90° outside	250	4000	-	190	3500	-	130	3200	-

Schutzvermerk nach DIN ISO 16016 beachten!
Nachdruck nur mit unserer Genehmigung!
All rights reserved according to DIN ISO 16016!
Reprint with our permission only!

3,2	-0,05 -0,2	tolerance	material:	weight: 12.90
		ISO 7168 M	drawing no.:	0017989
drawn	15.06.2022	name	description: FX-VV400	
edit	31.01.2024		part no.:	11010404
appr.	31.01.2024	TW	sheet	1 / 1

FLAIG
Magnetsysteme
www.flraig-te.de

scale: 1:2.5	Status: Freigegeben
--------------	---------------------