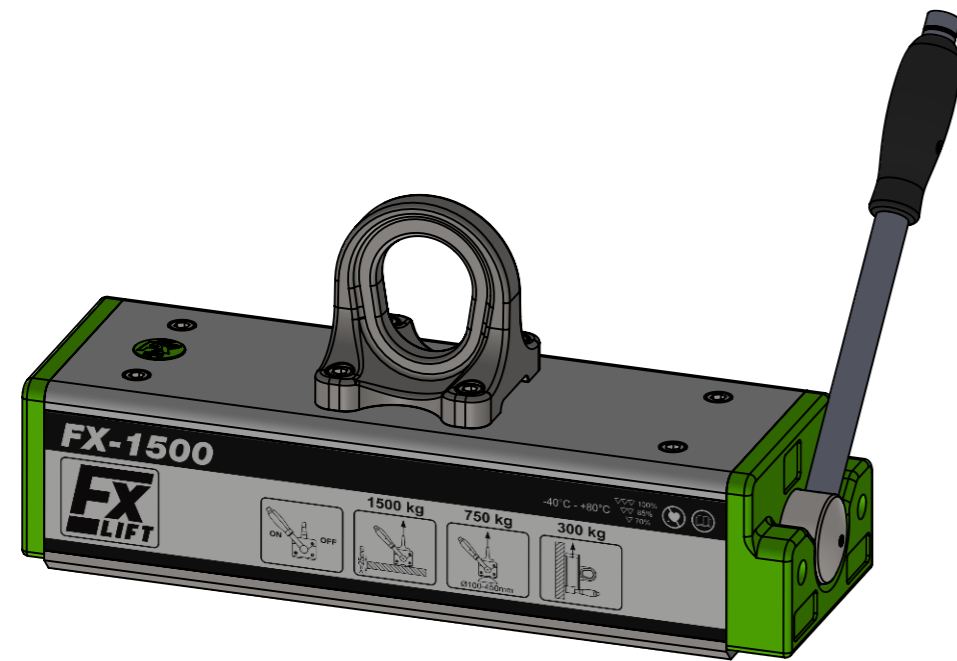
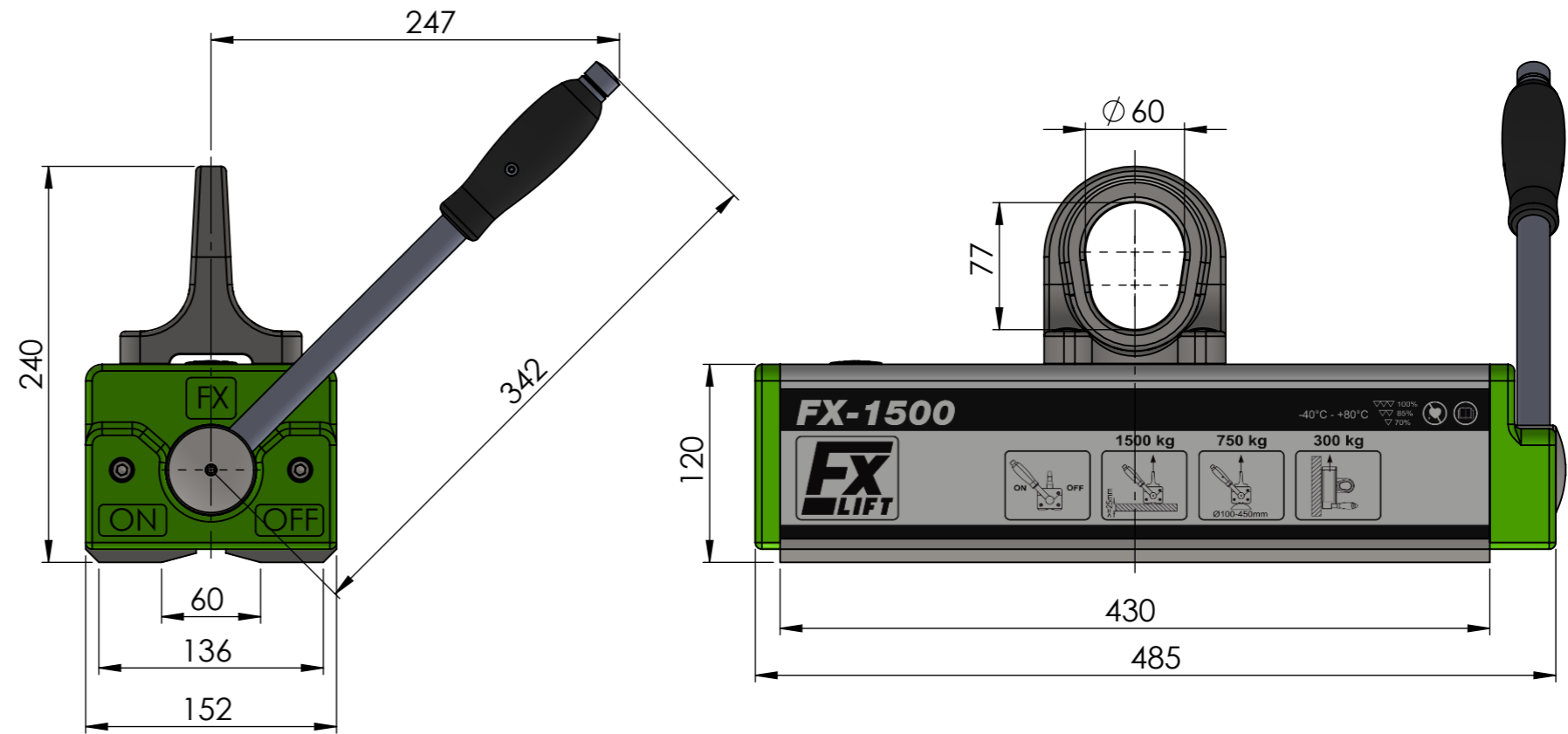
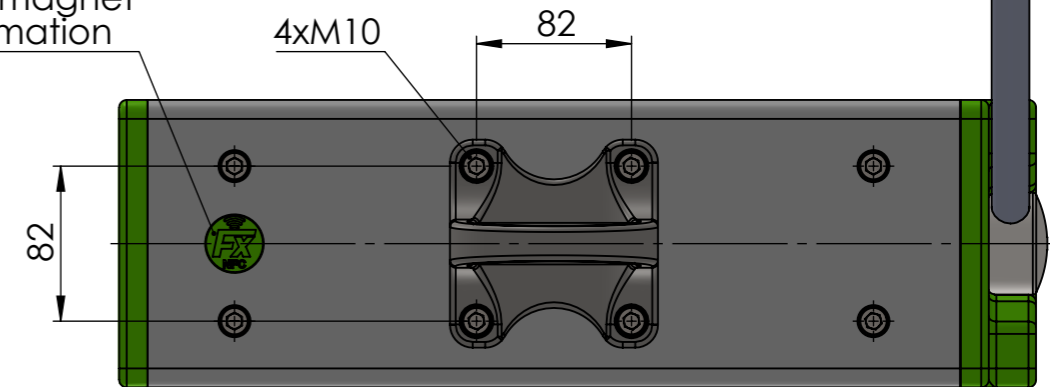



Working load according to EN 13155/WLL

Load capacity on flat material:	1500kg
Load capacity Ø100-450:	750kg
Max. load capacity > 25mm material thickness	



Green-Dot
NFC-Tag with magnet
related information



FX1500	Air gap <0,3mm			Air gap 0,3- 0,5mm			Air gap 0,5- 0,6mm			Schutzvermerk nach DIN ISO 16016 beachten! Nachdruck nur mit unserer Genehmigung! All rights reserved according to DIN ISO 16016! Reprint with our permission only!	3,2 / -0,05 / -0,2 tolerance	material:	weight: 61.00	
Material Thickness (mm)	Max. Load (kg)	Max. L (mm)	Max. B(mm)	Max. Load (kg)	Max. L (mm)	Max. B(mm)	Max. Load (kg)	Max. L (mm)	Max. B(mm)					ISO 7168 M
>=10	525	2250	2000	450	2250	2000	400	2250	1500					
>=15	900	2500	2000	750	2500	2000	700	2500	1500					
>=20	1300	3000	2500	1100	3000	2500	1000	3000	2000					
>=25	1500	3500	2500	1250	3500	2500	1100	3000	2000					
Ø100-450	750	5000	-	600	4500	-	450	3500	-					
										04 Green Dot 17.01.2024 TW	 www.flraig-te.de	part no.:	sheet 1 / 1	
										03 Bemaßung 06.04.2023 TW		description: FX-1500	11011500	A3
										02 Gewicht 31.01.2023 TW		scale: 1:4	Status: Freigegeben	
										rev. change date name				