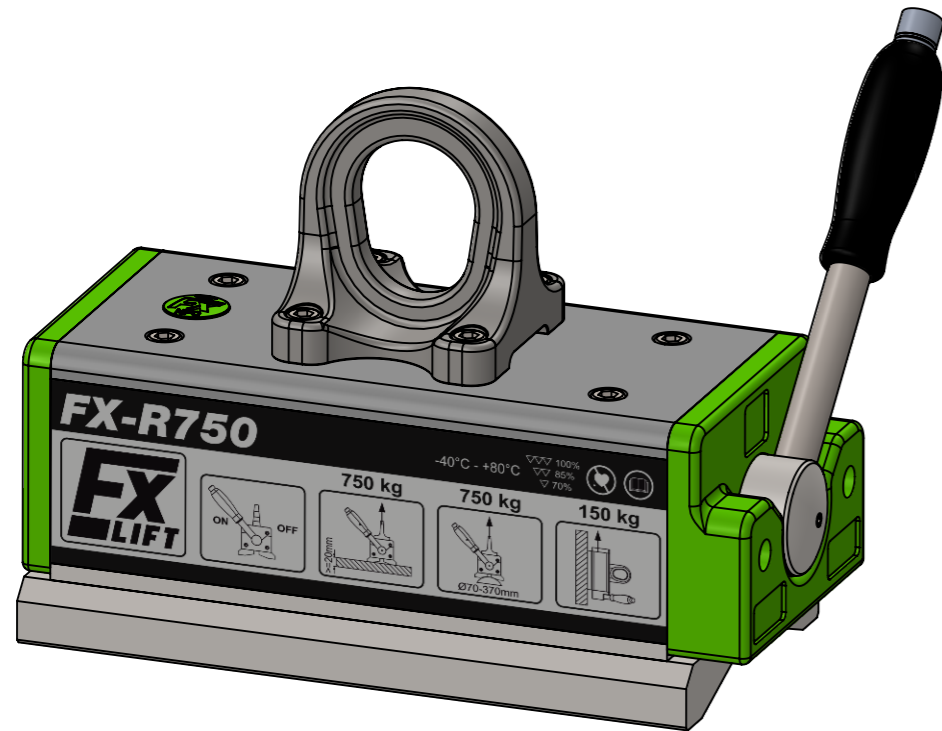
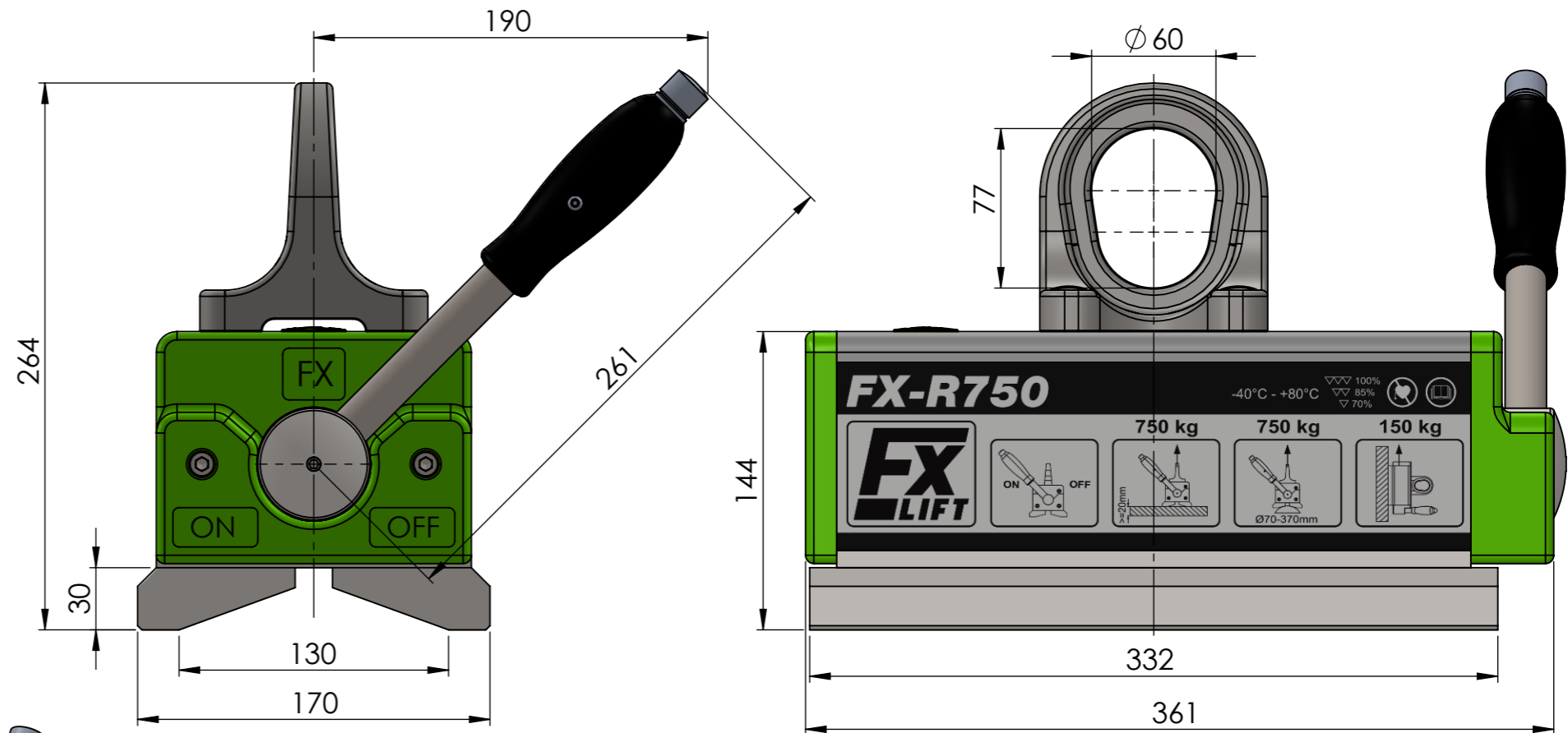
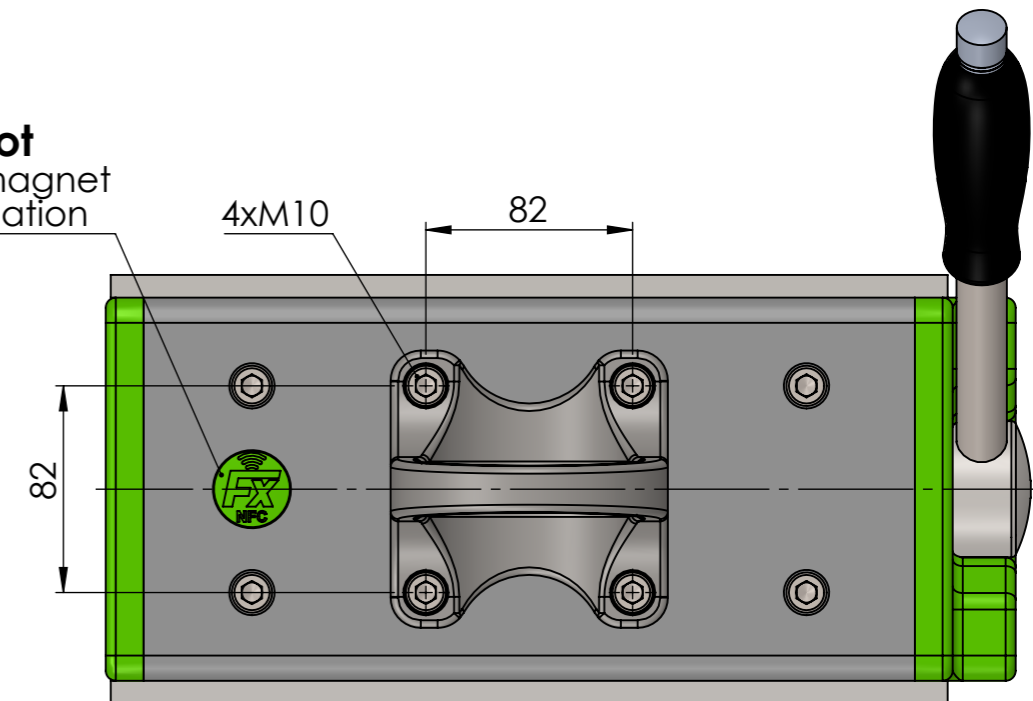


Working load according to EN 13155/WLL	
Load capacity on flat material:	750kg
Load capacity Ø70-370mm:	750kg
Max. load capacity > 20mm material thickness	



**Green-Dot**  
NFC-Tag with magnet  
related information



FX-R750	Air gap <0,3mm			Air gap 0,3-0,5mm			Air gap 0,5-0,6mm			Schutzvermerk nach DIN ISO 16016 beachten! Nachdruck nur mit unserer Genehmigung! All rights reserved according to DIN ISO 16016! Reprint with our permission only!	3,2 / -0,05 / -0,2 tolerance	material:	weight: 49.00
	Max. Load (kg)	Max. L (mm)	Max. B(mm)	Max. Load (kg)	Max. L (mm)	Max. B(mm)	Max. Load (kg)	Max. L (mm)	Max. B(mm)				
>=8	300	2250	1500	280	2250	1500	250	2250	1250				
>=10	400	2500	1500	380	2500	1500	300	2500	1250				
>=15	700	3000	1500	680	3000	1500	550	3000	1250				
>=20	750	3500	1500	720	3000	1500	600	3000	1250				
Ø70-370	750	4500	-	600	4000	-	450	3000	-				

drawn	15.04.2021	FEU
edit	31.01.2024	
appr.	31.01.2024	TW

03	Green Dot	18.01.2024	TW
02	Tabelle	14.12.2023	TW
rev.	change	date	name

<b>FLAIG</b>	
Magnetsysteme	
www.flraig-te.de	

ISO 7168 M	description: <b>FX-R750</b>
part no.: <b>11010751</b>	sheet 1 / 1
scale: 1:3	Status: Freigegeben