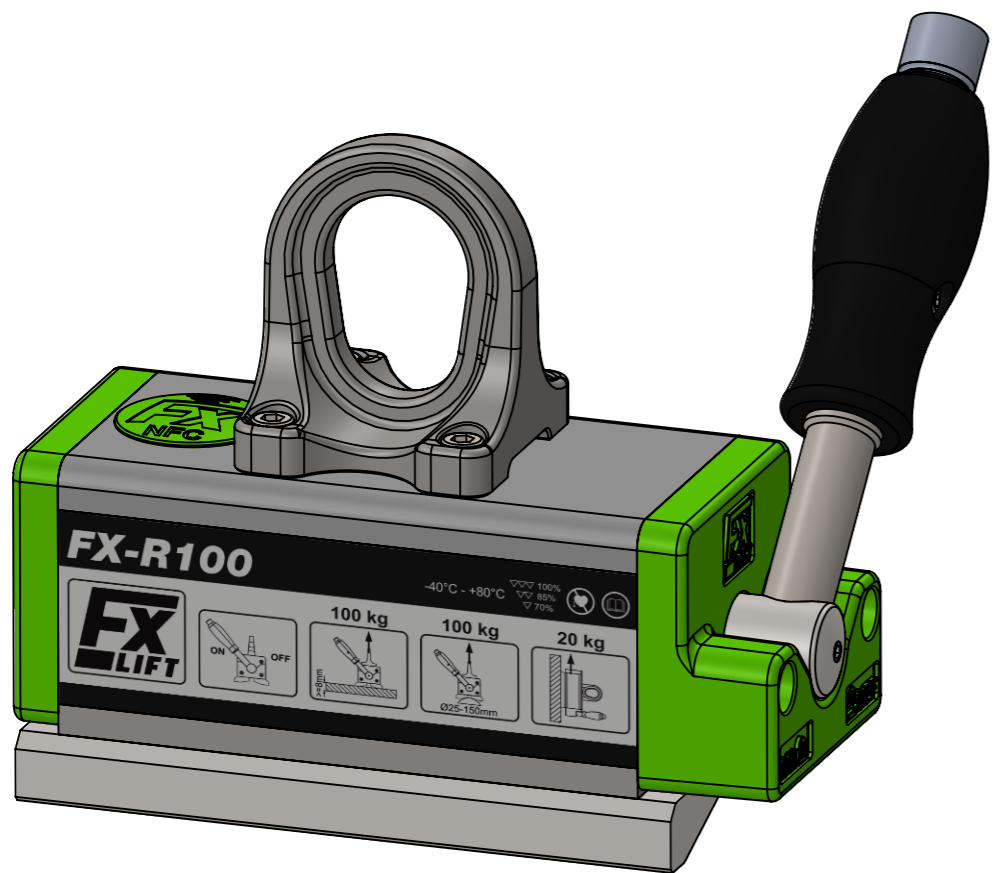
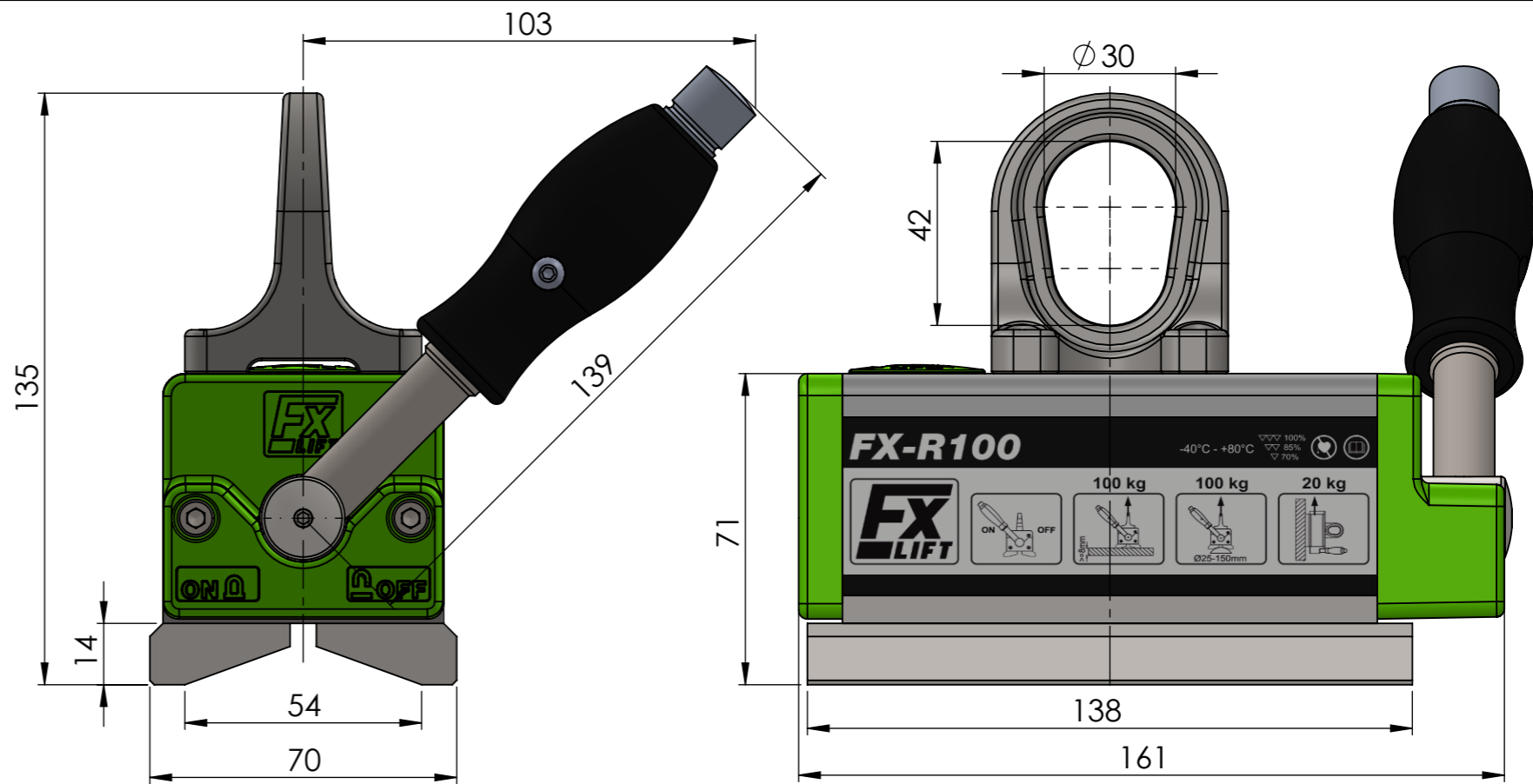
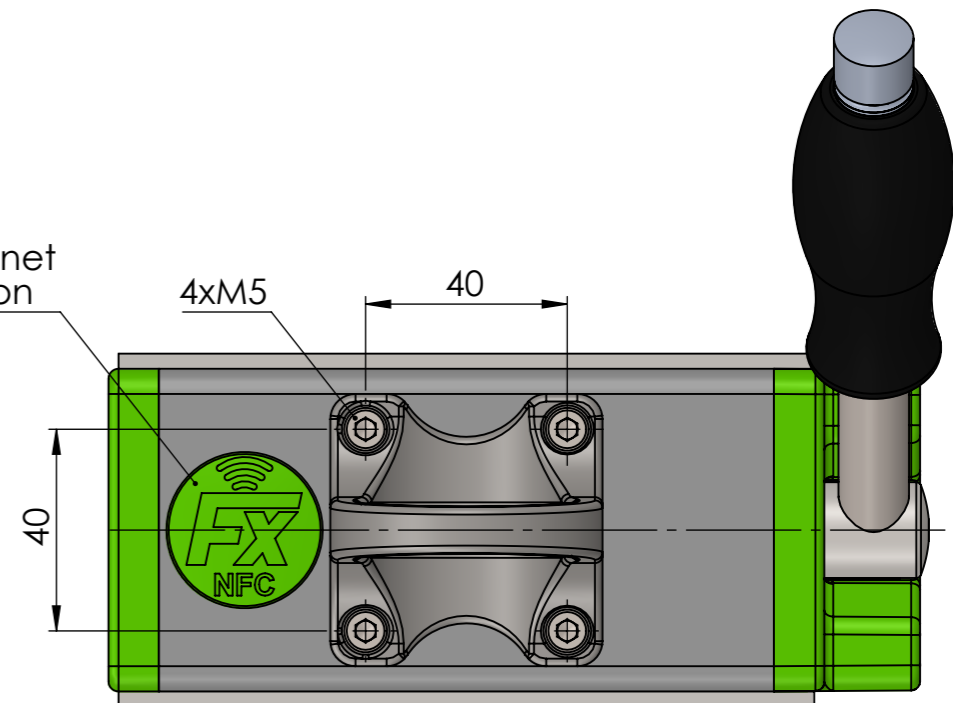


Working load according to EN 13155/WLL	
Load capacity on flat material:	100kg
Load capacity Ø25-150mm:	100kg
Max. load capacity > 8mm material thickness	



Green-Dot
NFC-Tag with magnet related information



FX-R100	Air gap <0,1mm			Air gap 0,1-0,3mm			Air gap 0,3-0,5mm		
Material Thickness (mm)	Max. Load (kg)	Max. L (mm)	Max. B(mm)	Max. Load (kg)	Max. L (mm)	Max. B(mm)	Max. Load (kg)	Max. L (mm)	Max. B(mm)
>=2	25	800	800	12	800	800	10	800	800
>=4	50	1500	1000	40	1500	1000	30	1200	1000
>=6	70	1500	1000	60	1500	1000	45	1200	1000
>=8	100	1500	1000	75	1500	1000	60	1200	1000
Ø25-150	100	2000	-	75	2000	-	60	1500	-

Schutzvermerk nach DIN ISO 16016 beachten!
Nachdruck nur mit unserer Genehmigung!
All rights reserved according to DIN ISO 16016!
Reprint with our permission only!

	tolerance	material:	weight: 4.00
	ISO 7168 M	drawing no.:	0014017
	date	name	description: FX-R100
drawn	27.07.2022	TW	
edit	31.01.2024		
appr.	31.01.2024	TW	

03	Green Dot	18.01.2024	TW
02	Tabelle	14.12.2023	TW
rev.	change	date	name



part no.:	11010101	sheet	1 / 1
scale:	1:1.5	Status:	Freigegeben